



TABLE TOPS & BASES ASSEMBLY INSTRUCTIONS

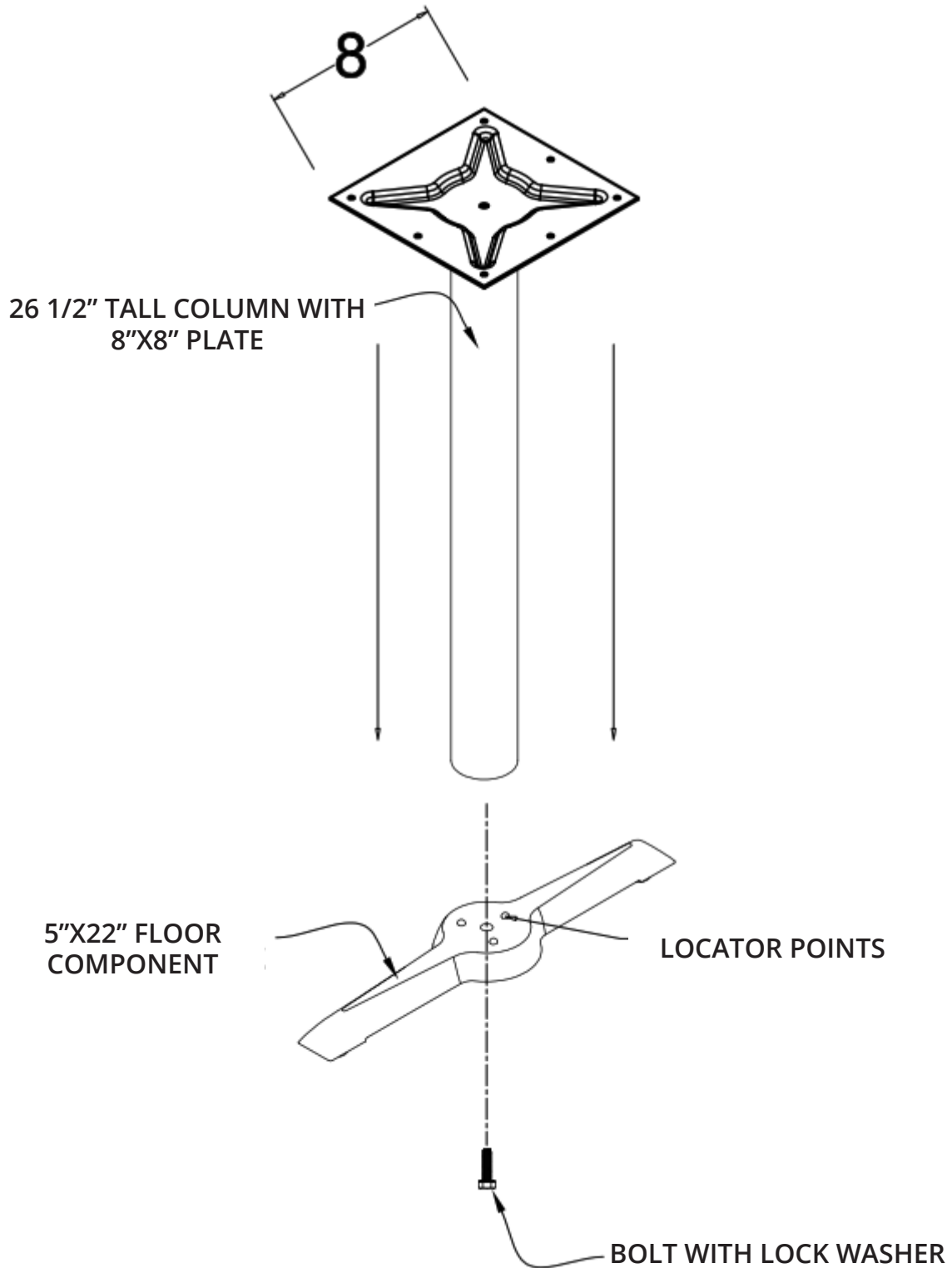


STSP-5-22-30H

INSTALLATION

Unscrew the bolt from the bottom of the column. Set column over base. Column to be placed to cover (3) locator points on base. Bolt together with provided bolt and lock washer.

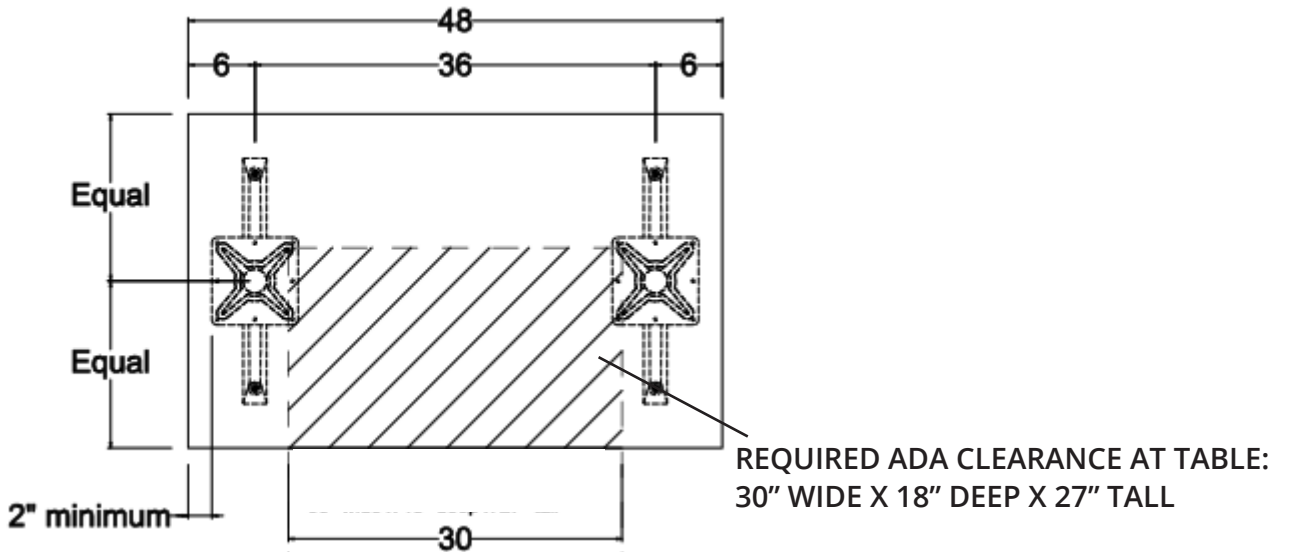
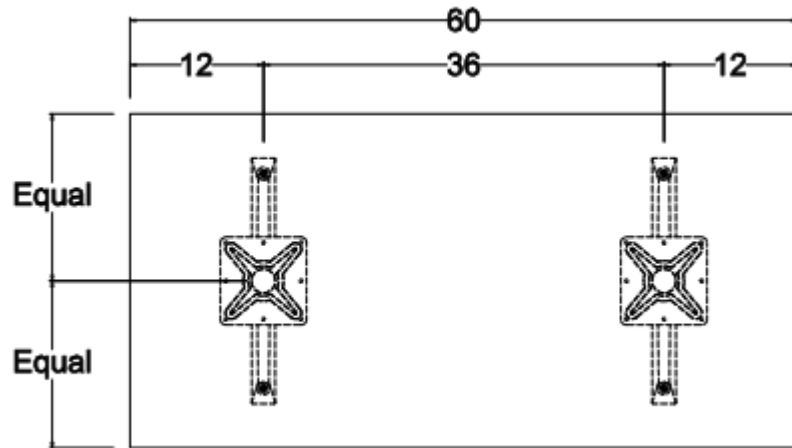
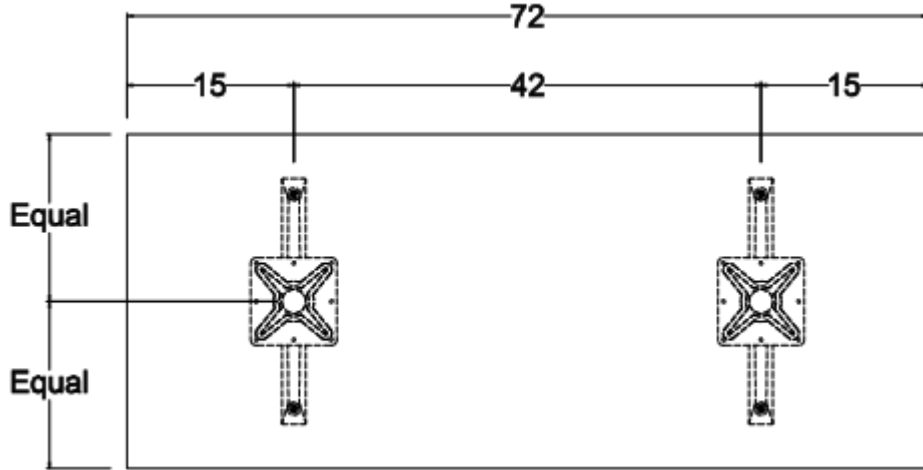
Required tool: 3/4" wrench or socket wrench



STSP-5-22

STANDARD SPACING

Standard spacing for (2) STSP-5-22 bases on a table top (center to center) should never exceed 42". Exceeding 42" will cause the table top to sag over time.

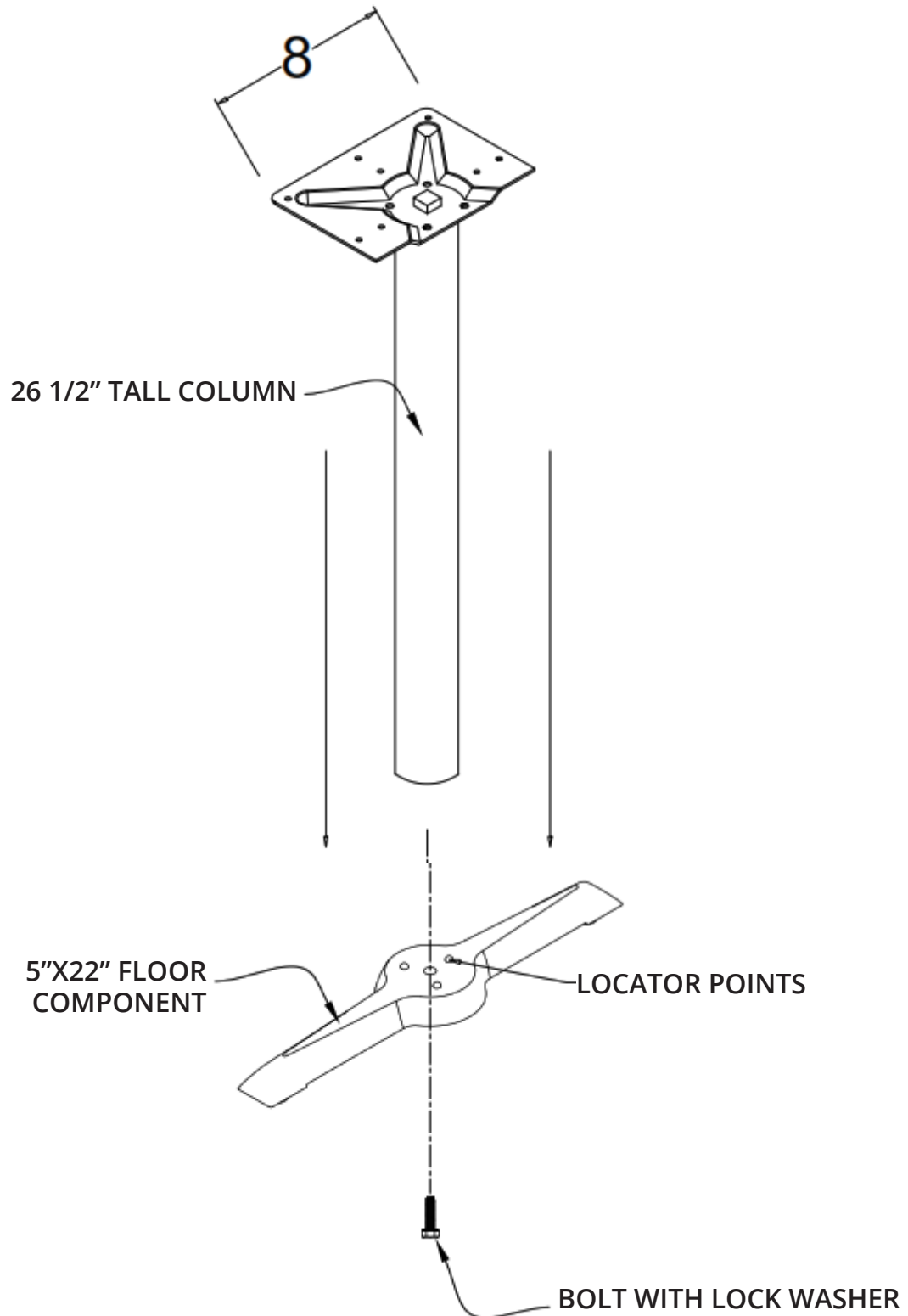


STSP-5-22-30H-ADA

INSTALLATION

Unscrew the bolt from the bottom of the column. Set column over base. Column to be placed to cover (3) locator points on base. Bolt together with provided bolt and lock washer.

Required tool: 3/4" wrench or socket wrench

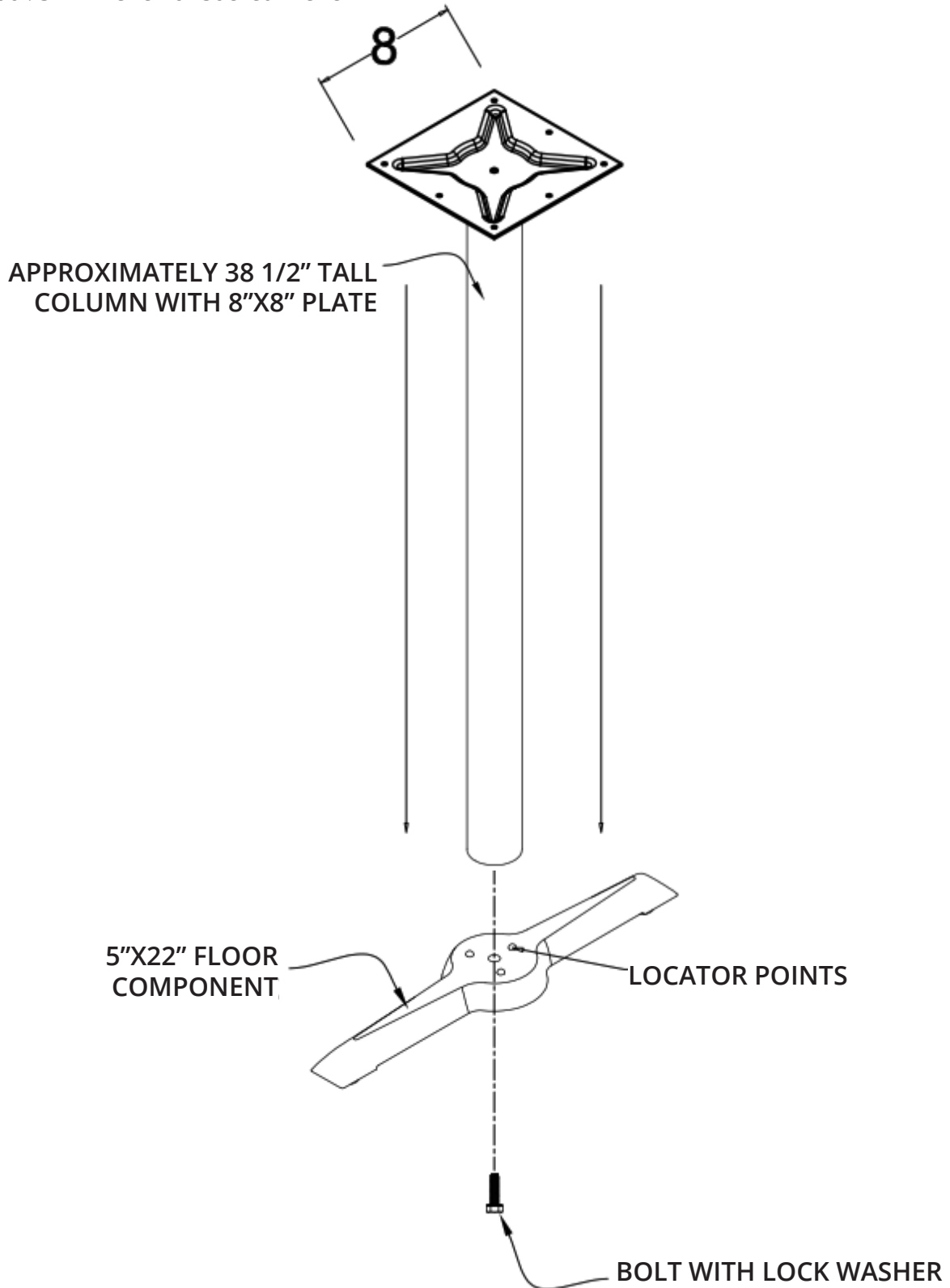


STSP-5-22-42H

INSTALLATION

Unscrew the bolt from the bottom of the column. Set column over base. Column to be placed to cover (3) locator points on base. Bolt together with provided bolt and lock washer.

Required tool: 3/4" wrench or socket wrench

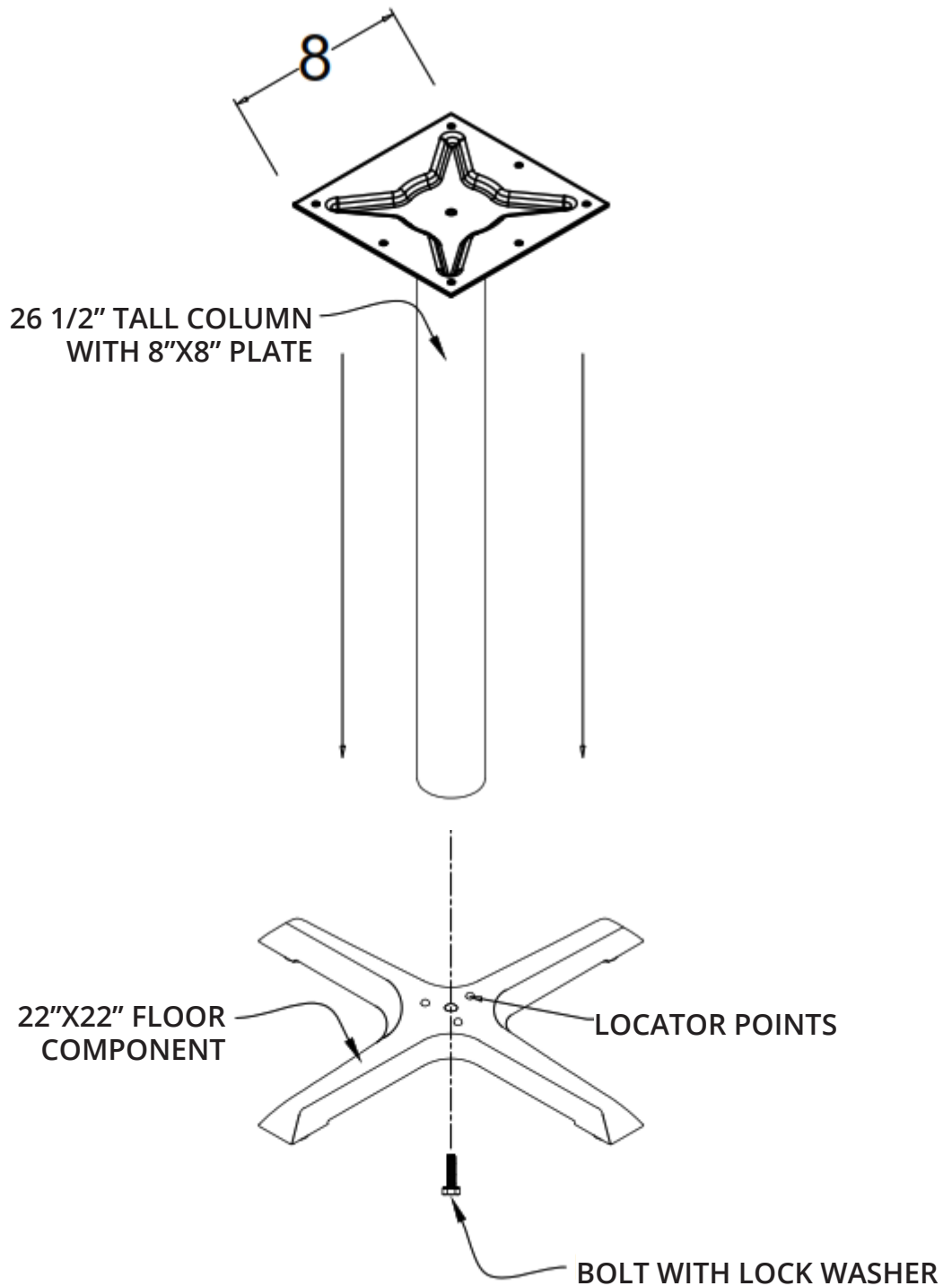


STSP-22-22-30H

INSTALLATION

Unscrew the bolt from the bottom of the column. Set column over base. Column to be placed to cover (3) locator points on base. Bolt together with provided bolt and lock washer.

Required tool: 3/4" wrench or socket wrench

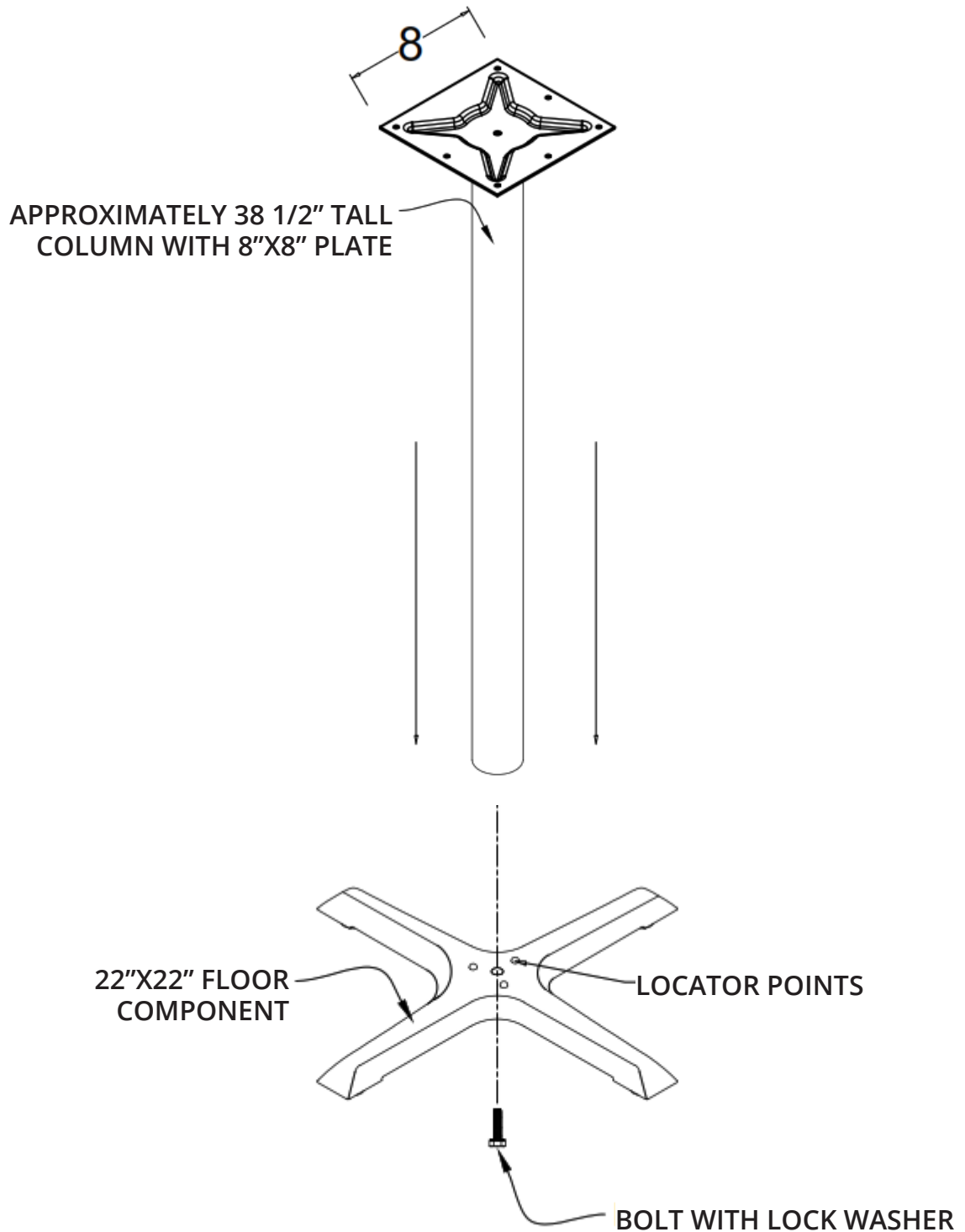


STSP-22-22-30H

INSTALLATION

Unscrew the bolt from the bottom of the column. Set column over base. Column to be placed to cover (3) locator points on base. Bolt together with provided bolt and lock washer.

Required tool: 3/4" wrench or socket wrench

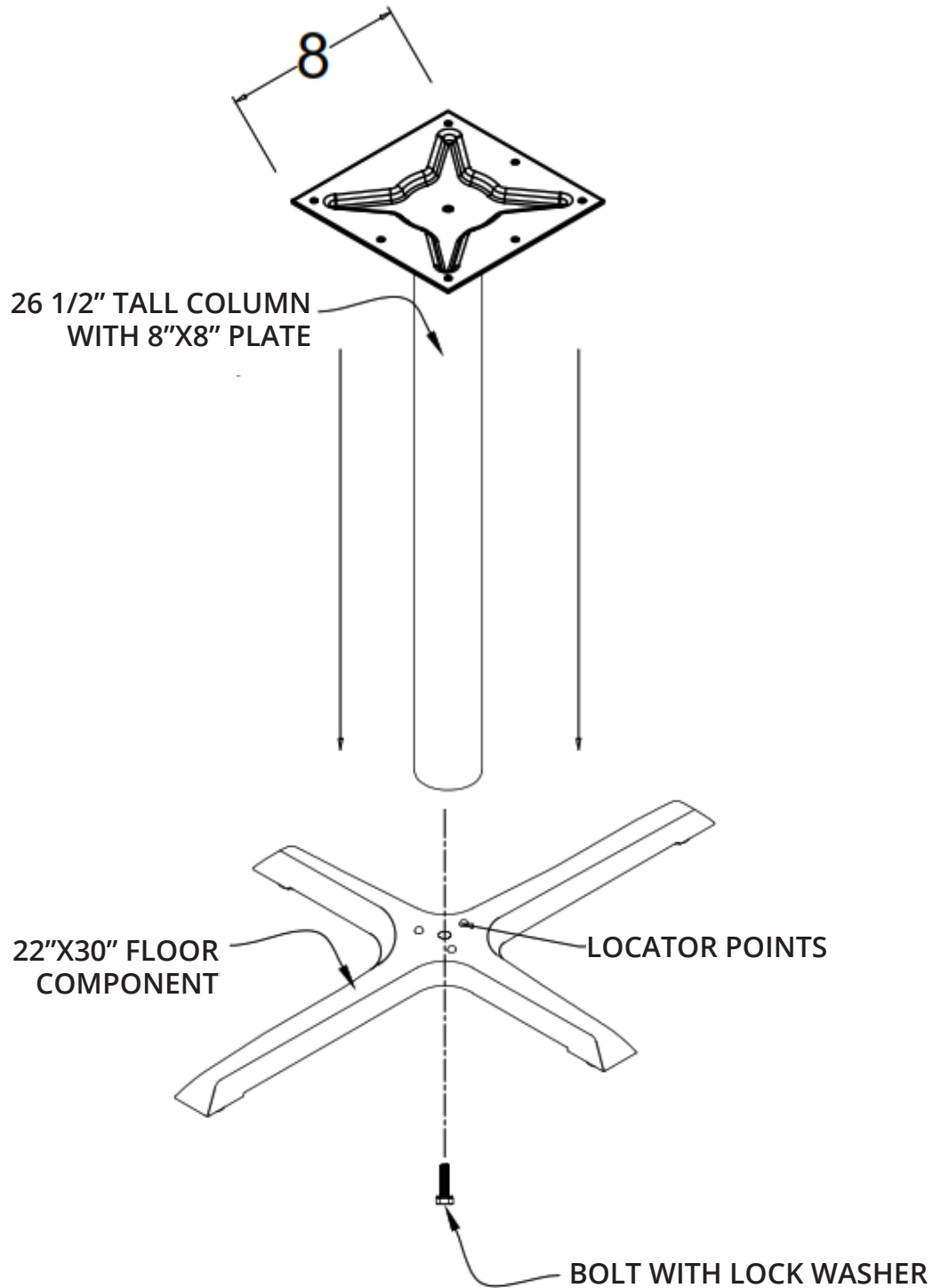


STSP-22-30-30H

INSTALLATION

Unscrew the bolt from the bottom of the column. Set column over base. Column to be placed to cover (3) locator points on base. Bolt together with provided bolt and lock washer.

Required tool: 3/4" wrench or socket wrench

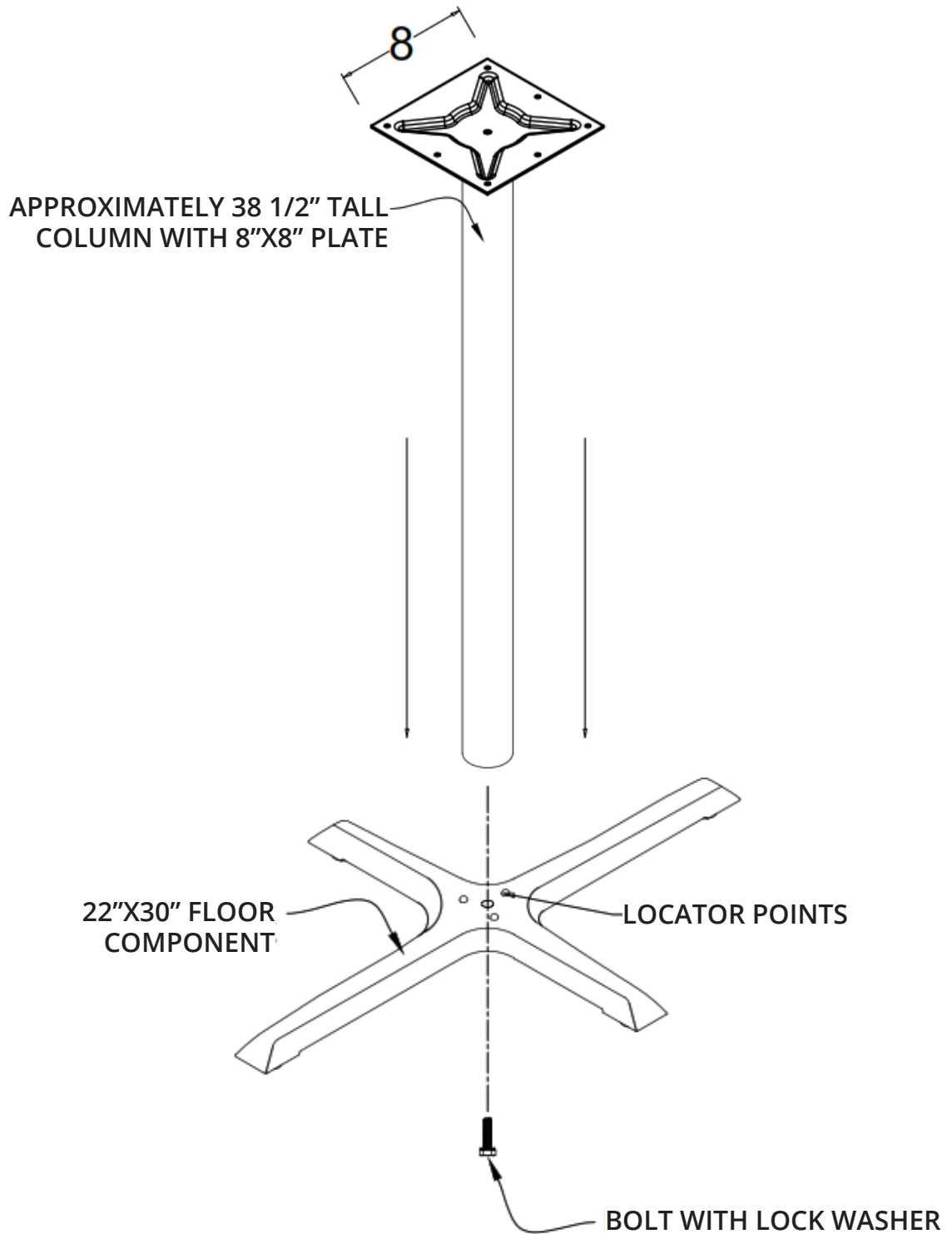


STSP-22-30-42H

INSTALLATION

Unscrew the bolt from the bottom of the column. Set column over base. Column to be placed to cover (3) locator points on base. Bolt together with provided bolt and lock washer.

Required tool: 3/4" wrench or socket wrench

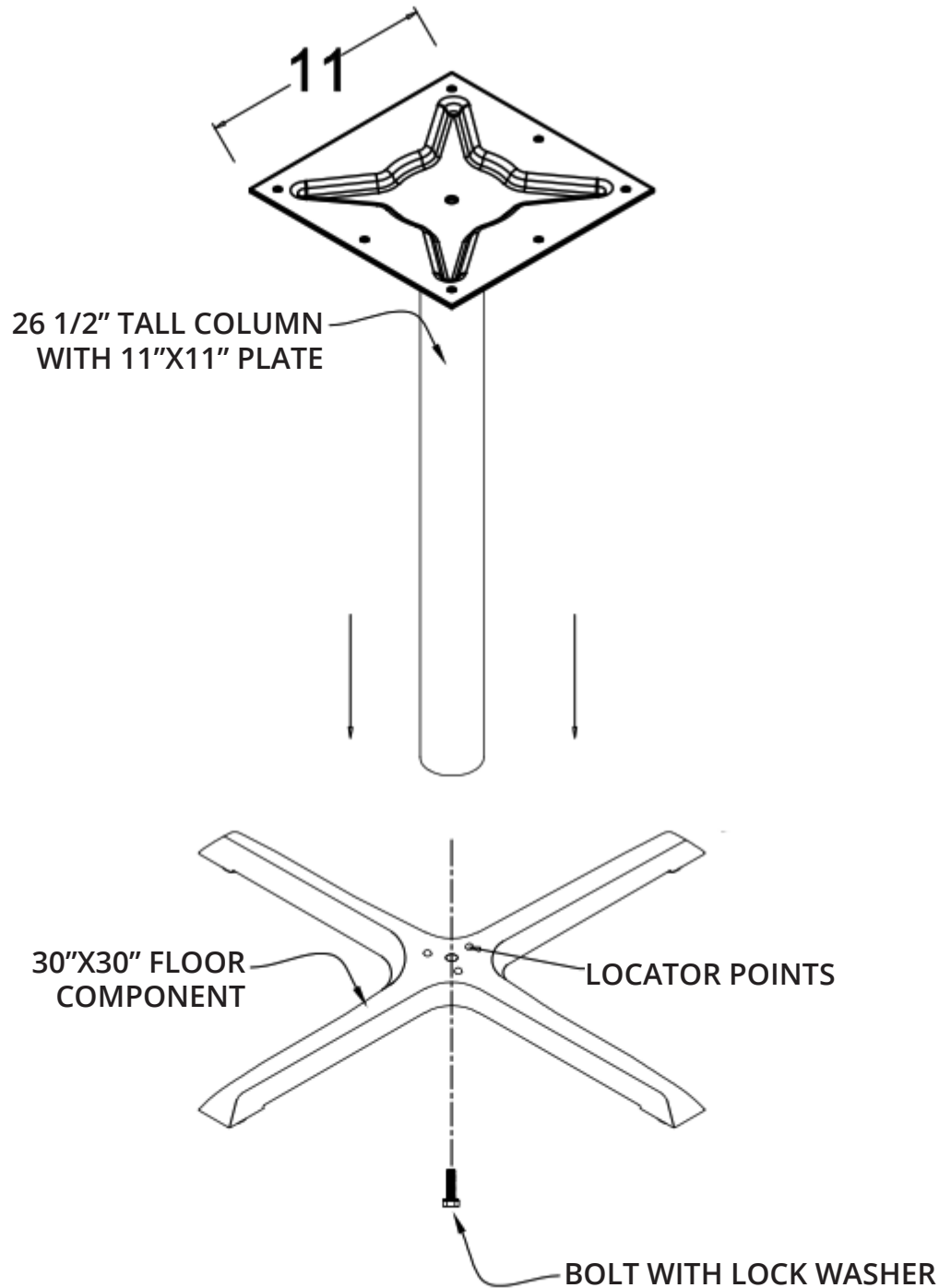


STSP-30-30-30H

INSTALLATION

Unscrew the bolt from the bottom of the column. Set column over base. Column to be placed to cover (3) locator points on base. Bolt together with provided bolt and lock washer.

Required tool: 3/4" wrench or socket wrench

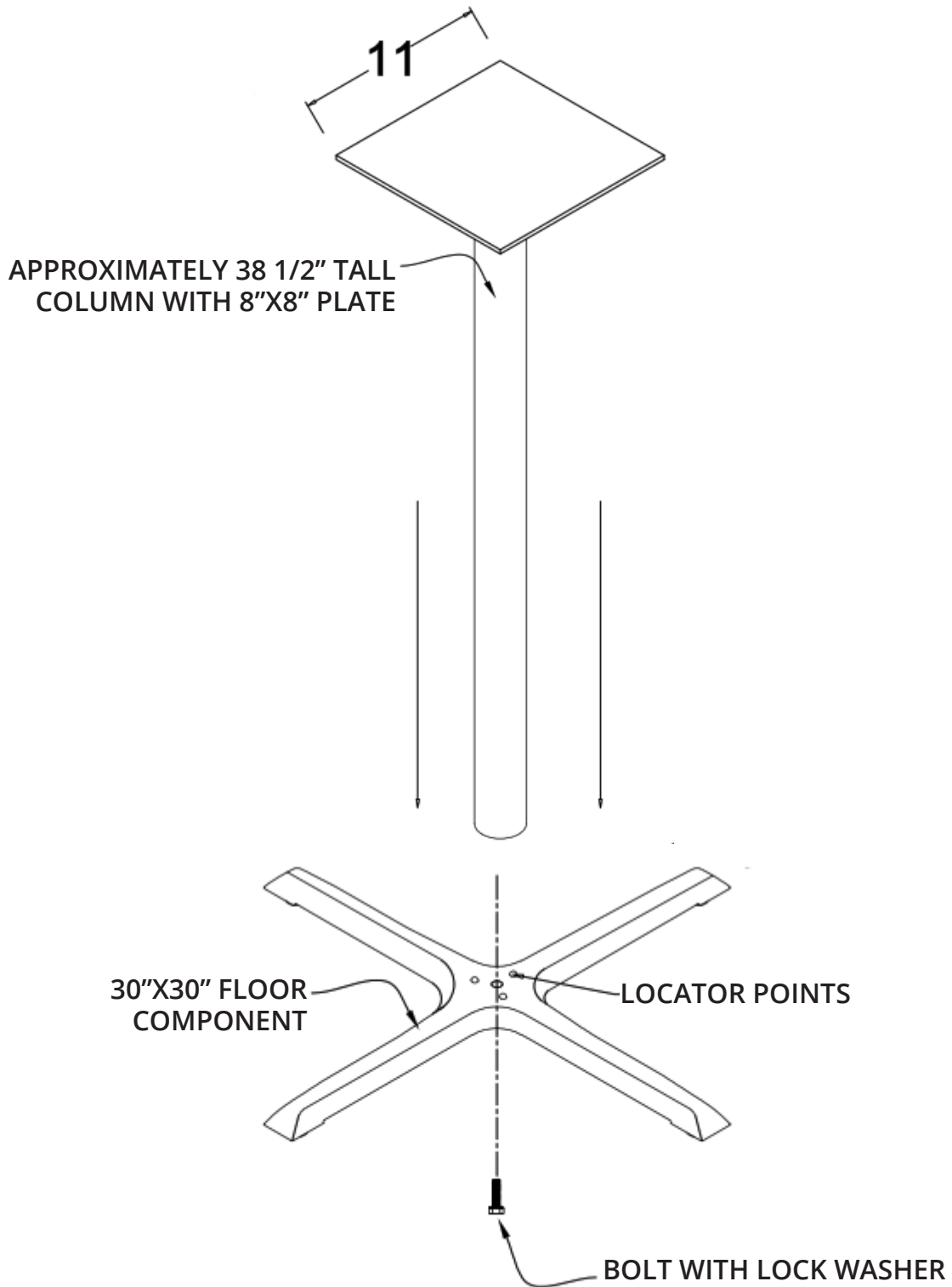


STSP-30-30-42H

INSTALLATION

Unscrew the bolt from the bottom of the column. Set column over base. Column to be placed to cover (3) locator points on base. Bolt together with provided bolt and lock washer.

Required tool: 3/4" wrench or socket wrench



Please have the serial number of the product when contacting customer service to receive assistance for:

- Selecting replacement parts/decals
- Repairing the product
- Adjusting and operating the product
- Obtaining online assistance



SICO Incorporated -
Global Headquarters

SICO America Inc.
1 800 328 6138
sales@sicoinc.com

SICO Asia PTE LTD
(65) 6500 0800
sales@sicoasia.com

SICO Europe Limited
+44(0) 1303 234 000
sales@sico-europe.com

SICO Japan Inc.

+81(3) 3288 0145
info@sico-japan.com

SICO Middle East DMCC

(971) 4 422 8259
sales@sico-me.com

SICO South Pacific Limited

+61(2) 4336 1333
sales@sicosp.com.au

www.sicoinc.com