



# DUAL HEIGHT STEPS

SAS SERIES

## ASSEMBLY INSTRUCTIONS AND PARTS LIST

### BEFORE YOU BEGIN...

Read and understand these instructions before operating.

Use caution and care for your back when lifting, pushing, pulling, or folding and unfolding these units. Never lift more than you are able to safely handle.

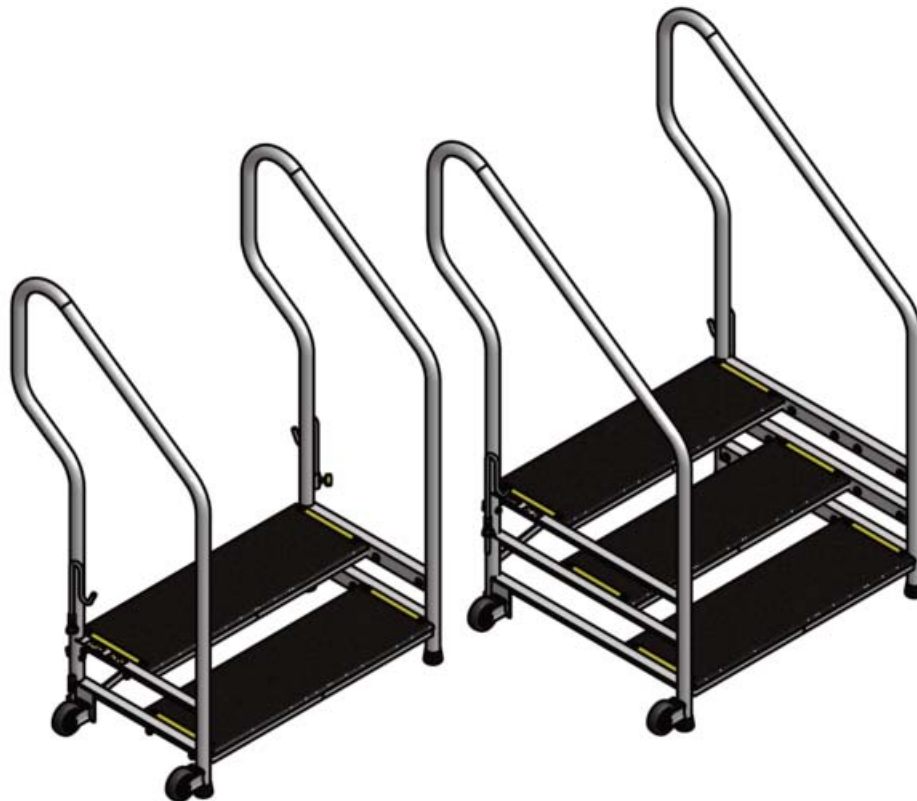
#### **▲WARNING**

To avoid injury, read and understand these instructions before you start to set up the stage.

### TOOLS REQUIRED

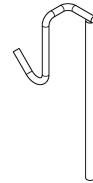
- Two 17mm wrenches

If you have any problems during setup, contact SICO Customer Care at 1-800-424-0796

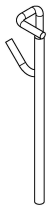




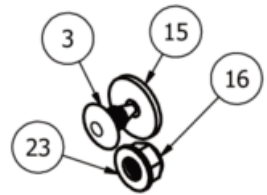
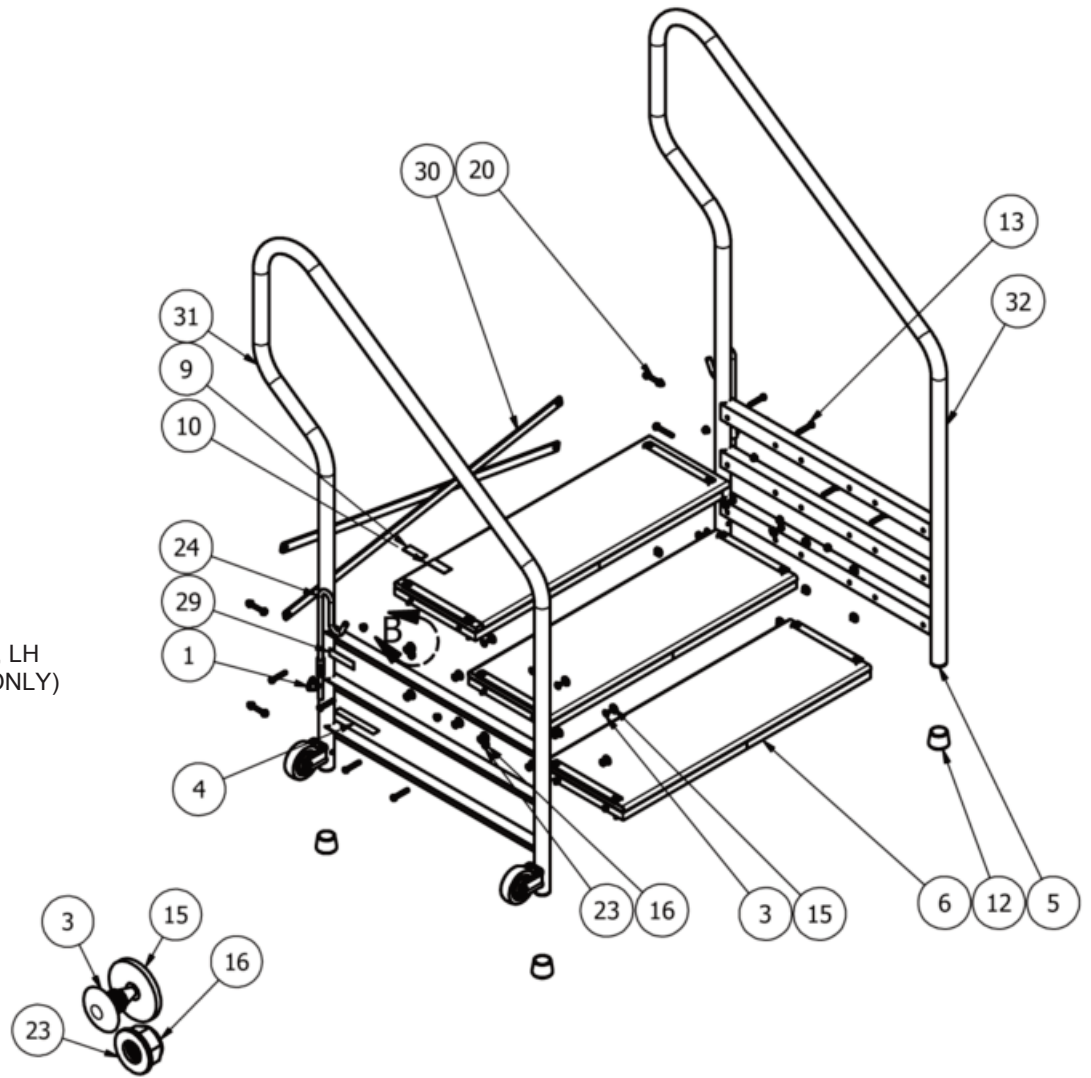
# ASSEMBLY EXPLODED VIEW - 3 TIER



STEP HOOK, RH  
(TECHLITE ONLY)



STEP HOOK, LH  
(TECHLITE ONLY)



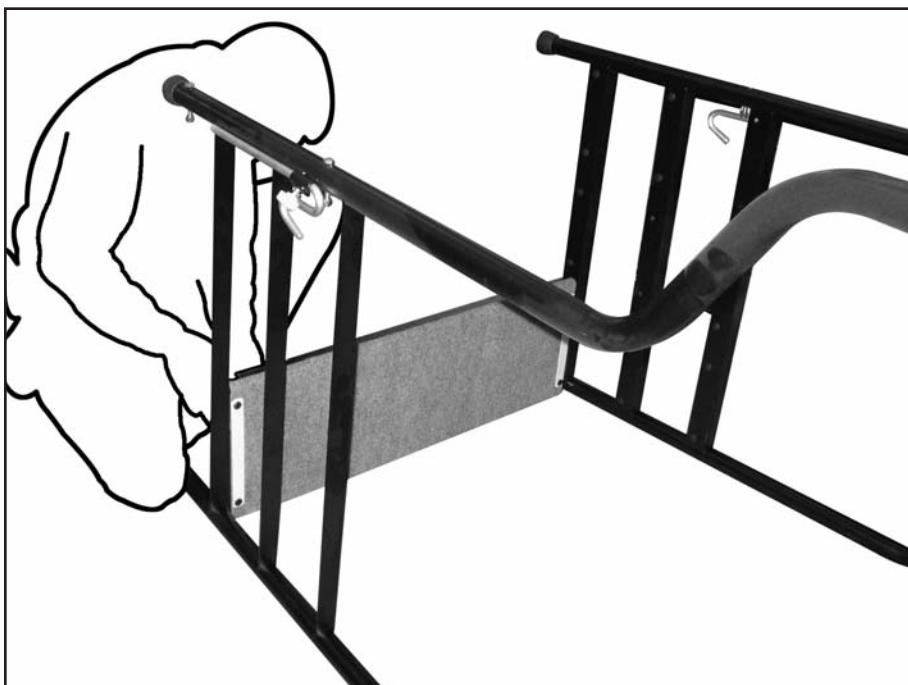
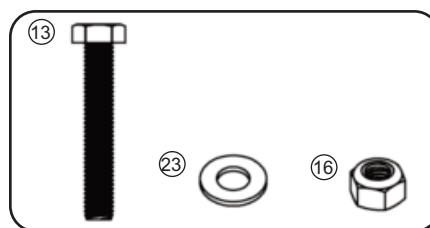
DETAIL B

# ASSEMBLY INSTRUCTIONS



1. Place one side rail vertically on a level work surface.
2. Position one step (⑥) as shown beside the frame.
3. Insert one bolt (⑬) through frame to step, then place washer and nut (⑰ ⑳) under the step to fasten it.

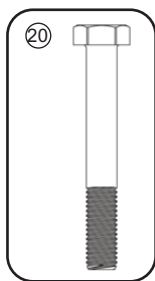
Caution: Do not tighten until fully assembled.



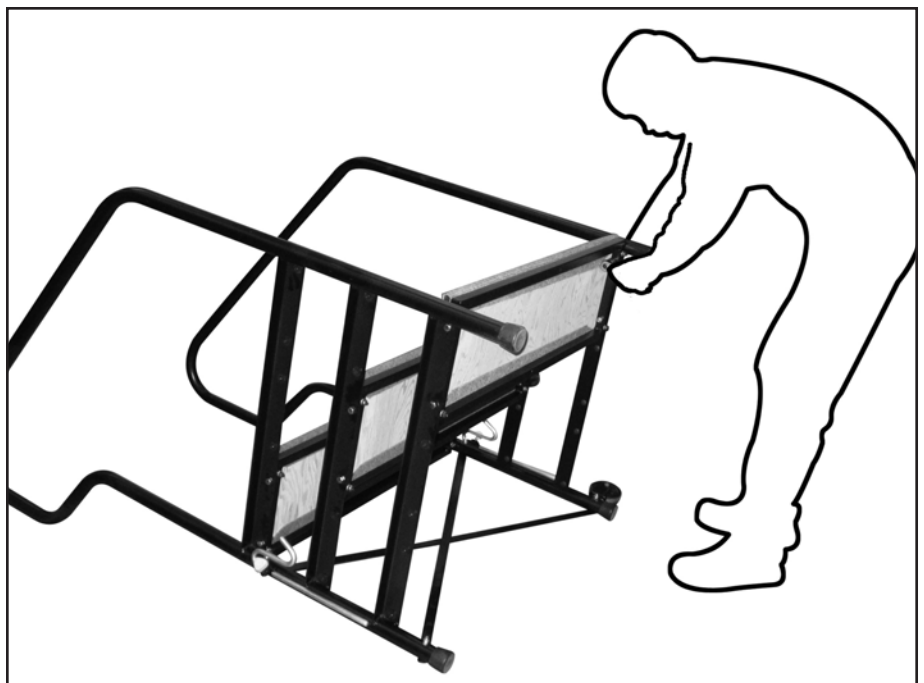
4. Position the second side rail against this step. Use same bolts, washers, and nuts to fasten it.
5. Repeat 1-4 to install remaining steps.

# ASSEMBLY INSTRUCTIONS

6. Rotate the assembly step, and set it on the floor.
7. Use bolt (20) to install sway brace (30) on the back. And fasten with washers and nuts (16 23).
8. When all 4 feet are resting on the floor and sit level, tighten all the bolts.

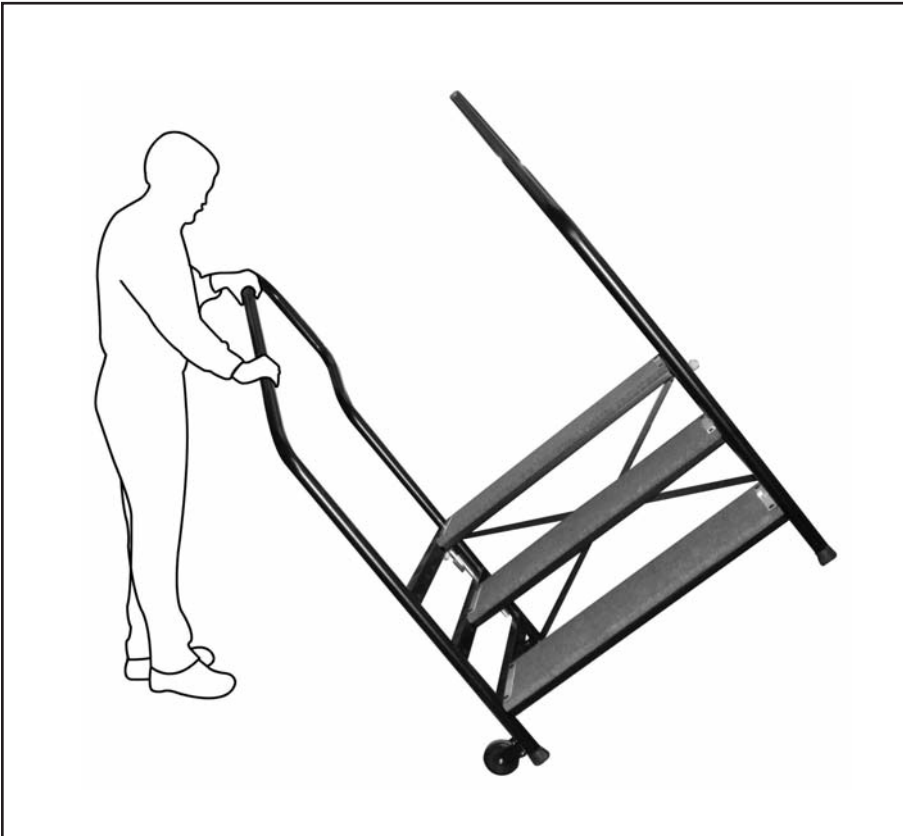


9. If you can't reach the bolts under the first tier, turn the stairway over, as shown, and tighten.



# ASSEMBLY INSTRUCTIONS

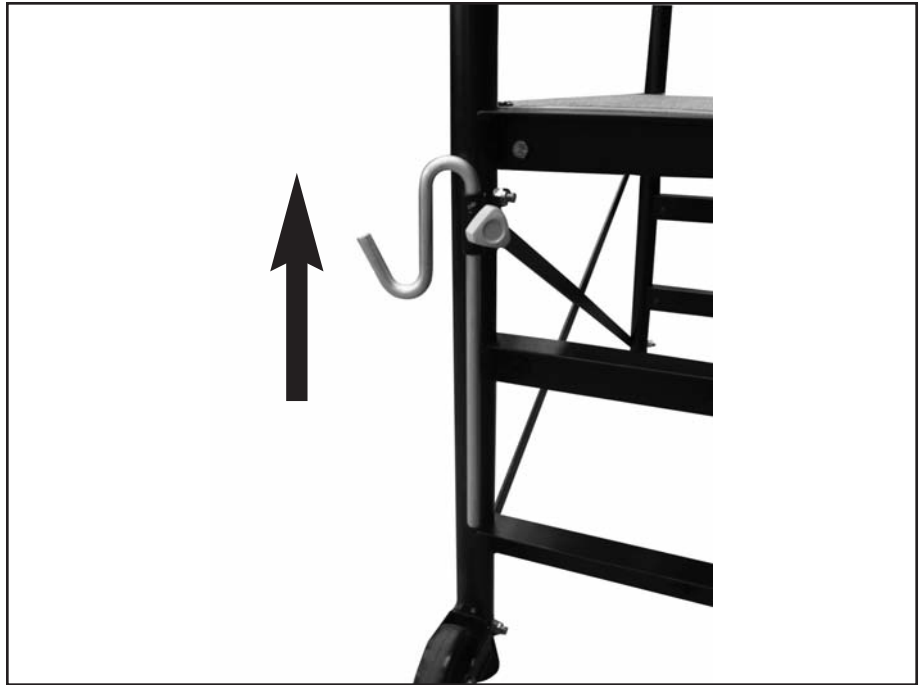
---



9. Roll away steps to storage or for use.

## USE MODULAR STEPS

1. Loosen the step hook by turning the yellow knob.



2. Attach the hook to the stage, and tighten the yellow knob.
3. Check to be sure steps are locked firmly in place.



### **▲WARNING**

Lock stairway to platform to avoid movement. Failure to do so could result in serious injury.



If you have any problems during setup, contact SICO Customer Care at 1-800-424-0796

---

Visit our website at [www.sicoinc.com](http://www.sicoinc.com)

<p><b>The Americans</b> SICO America Inc. USA In U.S., phone (800) 328-6138 Outside U.S., (952) 941-1700 Fax: (952) 941-6688 E-mail: <a href="mailto:sales@sicoinc.com">sales@sicoinc.com</a></p>	<p><b>Europe</b> SICO Europe LTD. England Phone [44] (1303) 234000 Fax: [44] (1303) 234001 E-mail: <a href="mailto:sales@sicoeurope.com">sales@sicoeurope.com</a></p>	
<p><b>Spain &amp; Portugal</b> Sistemas SICO S.L. Spain Phone [34] (91) 358-9076 Fax: [34] (91) 358-9264 E-mail: <a href="mailto:sales@sistemas-sico.com">sales@sistemas-sico.com</a></p>	<p><b>Australasia &amp; South Africa</b> SICO South Pacific Australia Phone [61] (2) 4388-5100 Fax: [61] (2) 4389-1341 E-mail: <a href="mailto:sales@sicosp.com.au">sales@sicosp.com.au</a></p>	
<p><b>Japan</b> SICO Nippon Co., LTD Japan Phone [81] (3) 3791-2277 Fax: [81] (3) 3791-3300 E-mail: <a href="mailto:siconpn@apricot.ocn.ne.jp">siconpn@apricot.ocn.ne.jp</a></p>	<p><b>Asean Countries/ Korea &amp; India</b> SICO Asia PTE LTD. Singapore 118535 Phone [65] 6472-2633 Fax: [65] 6472-2600 E-mail: <a href="mailto:sales@sicoasia.com">sales@sicoasia.com</a></p>	<p><b>China</b> SICO-SST China Phone [86] (10) 6467-9126 Fax: [86] (10) 6466-4815 E-mail: <a href="mailto:sales@sico-sst.com">sales@sico-sst.com</a></p>