


 WARNING!	<p>Always wear safety glasses when assembling Techlite™ Guard Rail Failure to observe this warning can result in serious injury!</p>
---	---

 CAUTION!	<p>All personal including temporary workers must read and understand this instruction before assembling the Techlite™ Guard Rail System.</p>
---	--

Intended Use

1. The Techlite™ Guard Rail is intended to be assembled as described in this instruction.
2. If problems or questions arise, contact SICO® Inc. customer service number listed at the bottom of this page.

Tools Required

The Techlite™ Guard Rail assembly requires the assembler to supply the tools shown at the right.



Rubber Hammer



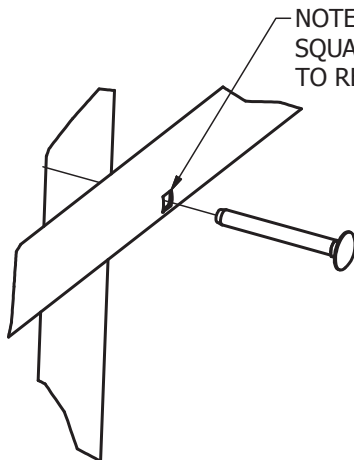
17mm Socket and Ratchet

OR



One 17mm Combination Wrench

ITEM	QTY	DESCRIPTION
1	2	GUARDRAIL VERTICAL, ASSEMBLIES
2	3	HORIZONTAL, TUBE
3	6	CARRIAGE BOLT, M10 x 1.5 x 90mm
4	6	M10 LOCKNUT
5	8	TUBE CAP, LDPE BLACK



NOTE:
 SQUARE HOLE FACES OUTWARD
 TO RECEIVE CARRIAGE BOLT.

MODEL NO.	TUBE LENGTH
SGT11AB	32.2"
SGT11BB	44.2"
SGT11CB	66.0"
SGT11DB	68.2"
SGT11EB	79.5"
SGT11FB	92.2"
SGT11GB	111.0"

